

measurex®



Quality Controlled from Pellet to Product

CERTIFIED ISO 9001-2015 and FSSC 22000

A product line of





measurex[®]

CERTIFIED ISO 9001-2015 and FSSC 2200

A simple scoop that nestles itself amidst the powdered mixes of countless industry products - today serves a much grander purpose.

It is the attention to quality and measuring potential of the measurex[®] brand of scoops that is making a significant difference in many products, including health and wellness supplements and pharmaceutical innovations requiring precise dosing.

All of the magic happens at the Airlite Plastics Co. Nazareth, Pennsylvania plant - where a company with more than a half-century of history continues to blaze the trail as it did back when it was the first on the scene to design and manufacture measurex[®] scoops.

When the measurex[®] product line was first launched, the designing and manufacturing was done by Margon Co. of New Jersey - concentrating primarily in the food, pharmaceutical and chemical markets.

Production remained in New Jersey under the original owners until 1993 when it was acquired by S&L Plastics and moved to Nazareth, Pennsylvania. Using raw materials


that meet strict requirements of the U.S. Food and Drug Administration, the company gained ISO certification in 2001.

In April 2012 Airlite Plastics Co. of Nebraska bought S&L, the measurex[®] line and its Nazareth facility. This gave measurex[®] more access to innovative techniques and tooling, giving it the ability to produce and maintain a variety of lightweight, sleek and modern scoops. Quality was also a focus and FSSC 22000 Certification was achieved.

Through the years, measurex[®] scoops have been trusted by major national brands, including Swiss Miss, Lipton, Nestle, Lever Brothers, Procter & Gamble, Chock Full o'Nuts and Kraft and Coca-Cola.

With measurex[®]'s deep-rooted history comes ongoing innovation, design and technology - and a responsive staff delivering customer-focused results. Customization of products, a continuous flow of inventory and quick turnover times make us a leader in the industry.

Measurex[®] continues building and growing upon a strong brand foundation set decades ago, while innovating for the needs of today's customers and solidifying ways to provide for the companies and industries of tomorrow.



From pellet to product,
measurex® creates the
best scoops for any
product line.

Measurex® Scoops

GET THE SCOOP

A result of proven manufacturing processes, outstanding quality control, on-time delivery and realistic pricing, measurex® offers customers more than 60 stock sizes of scoops. Clients can also customize their unique size, shape, color and design to aid in branding their product.

Big enough to fulfill large orders, but small enough to react to the customers' needs, measurex® can deliver scoops by the case or by truckloads of skids - and its responsiveness and personal relationship with its customers helps identify what clients are using and where the market is going.

Supported by a full engineering department, state-of-the-art tooling, quality lab-calibration and decades of experience, measurex®'s scoops are in more industries than ever before, including laboratory, pharmaceutical, health and fitness, weight lifting, pet/veterinary/ag chemicals, and baby formula.

Extra Small Scoops

0.69" DIAMETER BOWLS

Measurex® uses its state-of-the-art tooling to design and manufacture extra small scoops that deliver critical measuring results in laboratories - providing fractional measurements that are innovating solutions for research and development. Whether it is a pharmacy, chemistry or a forensic laboratory, measurex® has the size required for small ingredient dosing.

Our manufacturing plant is food safety certified FSSC 22000 so you can be assured of your product's purity and keep your commitment to maintaining high standards.

Our extra small scoops have 0.37" and 0.69" diameter bowls and come in two handle lengths. See chart at right for stock capacities and colors.

Did you know we are able to customize any size scoop to fit your needs and promote your brand? See page 19 for more about our custom capabilities.



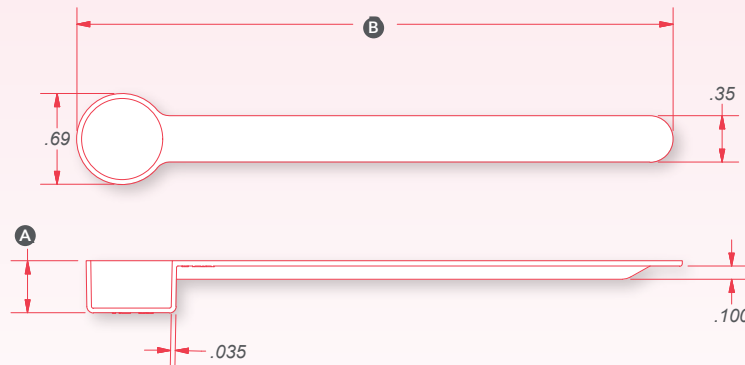


PRODUCT SPECIFICATIONS

Product ID	Bowl Capacity	Bowl Depth ^A	Overall Length ^B	Stock Color/s	Material
0.15A3.0DR*	0.15 cc	.030"	3.0"	Natural	FDA Grade Polypropylene
0.625C3.0DR	0.625 cc	.17"	3.0"	Natural	FDA Grade Polypropylene
0.625C4.5DR	0.625 cc	.17"	4.5"	Natural	FDA Grade Polypropylene
1.0C3.0DR	1.0 cc	.24"	3.0"	Natural	FDA Grade Polypropylene
1.0C4.5DR	1.0 cc	.24"	4.5"	Natural	FDA Grade Polypropylene
1.25C3.0DR	1.25 cc	.30"	3.0"	Natural	FDA Grade Polypropylene
1.25C4.5DR	1.25 cc	.30"	4.5"	Natural	FDA Grade Polypropylene
1.5C3.0DR	1.5 cc	.35"	3.0"	Natural	FDA Grade Polypropylene
1.5C4.5DR	1.5 cc	.35"	4.5"	Natural	FDA Grade Polypropylene
1.7C3.0DR	1.7 cc	.39"	3.0"	Natural	FDA Grade Polypropylene
1.7C4.5DR	1.7 cc	.39"	4.5"	Natural	FDA Grade Polypropylene
2.5C3.0DR	2.5 cc	.57"	3.0"	Natural	FDA Grade Polypropylene
2.5C4.5DR	2.5 cc	.57"	4.5"	Natural	FDA Grade Polypropylene

*This scoop has a 0.37" diameter bowl.

Available in 2 handle lengths.



1.7C4.5DR drawing shown above at 75% of actual size.
Contact us for detailed product drawings on any size scoop.

Small Scoops

1" DIAMETER BOWLS

In the pharmaceutical industry, most times it is a dash of an ingredient or fraction of materials that are added to a petri dish, to become a revelation and game changer in the field of health care and beyond. It is measurex®'s design of its small scoop that provides this accurate measurement in such a critical industry.

Your formulators will be impressed with the accuracy of a dose using our quality, calibrated scoops.

Our small scoops have a 1" diameter bowl and come in three handle lengths. See chart at right for stock capacities and colors.

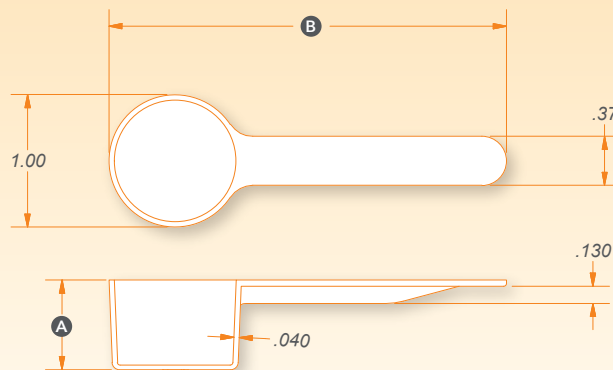
Did you know we are able to customize any size scoop to fit your needs and promote your brand? See page 19 for more about our custom capabilities.





PRODUCT SPECIFICATIONS

Product ID	Bowl Capacity	Bowl Depth A	Overall Length B	Stock Color/s	Material
4.0C3.0DR	4.0 cc	.42"	3.0"	Natural	FDA Grade Polypropylene
4.0C4.5DR	4.0 cc	.42"	4.5"	Natural	FDA Grade Polypropylene
4.0C5.5DR	4.0 cc	.42"	5.5"	Natural	FDA Grade Polypropylene
5.0C3.0DR	5.0 cc	.52"	3.0"	Natural, Blue	FDA Grade Polypropylene
5.0C4.5DR	5.0 cc	.52"	4.5"	Natural	FDA Grade Polypropylene
5.0C5.5DR	5.0 cc	.52"	5.5"	Natural, Yellow	FDA Grade Polypropylene
6.5C3.0DR	6.5 cc	.68"	3.0"	Natural	FDA Grade Polypropylene
6.5C4.5DR	6.5 cc	.68"	4.5"	Natural	FDA Grade Polypropylene
6.5C5.5DR	6.5 cc	.68"	5.5"	Natural	FDA Grade Polypropylene
7.5C3.0DR	7.5 cc	.78"	3.0"	Natural	FDA Grade Polypropylene
7.5C4.5DR	7.5 cc	.78"	4.5"	Natural	FDA Grade Polypropylene
7.5C5.5DR	7.5 cc	.78"	5.5"	Natural	FDA Grade Polypropylene
8.5C3.0DR	8.5 cc	.88"	3.0"	Natural	FDA Grade Polypropylene
8.5C4.5DR	8.5 cc	.88"	4.5"	Natural	FDA Grade Polypropylene
8.5C5.5DR	8.5 cc	.88"	5.5"	Natural	FDA Grade Polypropylene
9.0C3.0DR	9.0 cc	.94"	3.0"	Natural	FDA Grade Polypropylene
9.0C4.5DR	9.0 cc	.94"	4.5"	Natural	FDA Grade Polypropylene
9.0C5.5DR	9.0 cc	.94"	5.5"	Natural	FDA Grade Polypropylene



Available in 3 handle lengths.

6.5C3.0DR drawing shown above at 75% of actual size.
Contact us for detailed product drawings on any size scoop.

Medium Scoops

1.4" DIAMETER BOWLS

When preparing a powdered drink mix or a brew of specialty coffee, measurex®'s medium scoops are designed with a measuring capability that helps to ensure your product's taste and consistency are synonymous with what you, the manufacturer, require.

Our attention to capacity tolerances assures your product flavor will taste the way it was intended to.

Our medium scoops have a 1.4" diameter bowl and come in two handle lengths. See chart at right for stock capacities and colors.

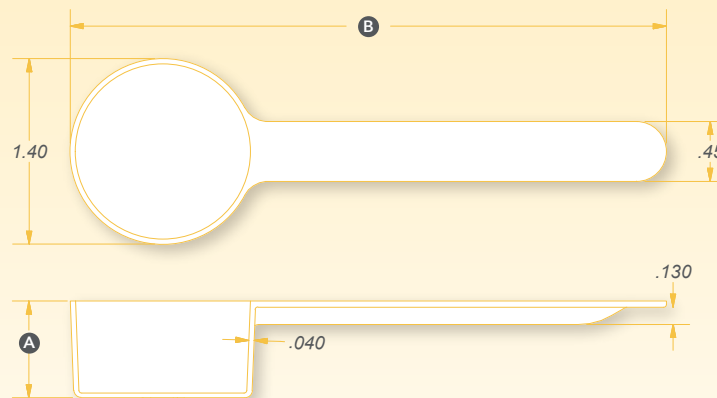
Did you know we are able to customize any size scoop to fit your needs and promote your brand? See page 19 for more about our custom capabilities.





PRODUCT SPECIFICATIONS

Product ID	Bowl Capacity	Bowl Depth A	Overall Length B	Stock Color/s	Material
11.0C3.0DR	11.0 cc	0.55"	3.0"	Natural	FDA Grade Polypropylene
11.0C4.5DR	11.0 cc	0.55"	4.5"	Natural	FDA Grade Polypropylene
13.0C3.0DR	13.0 cc	0.65"	3.0"	Natural	FDA Grade Polypropylene
13.0C4.5DR	13.0 cc	0.65"	4.5"	Natural	FDA Grade Polypropylene
14.8C3.0DR	14.8 cc	0.73"	3.0"	Natural	FDA Grade Polypropylene
14.8C4.5DR	14.8 cc	0.73"	4.5"	Natural, Blue	FDA Grade Polypropylene
18.0C3.0DR	18.0 cc	0.89"	3.0"	Natural	FDA Grade Polypropylene
18.0C4.5DR	18.0 cc	0.89"	4.5"	Natural	FDA Grade Polypropylene



Available in 2
handle lengths.

14.8C4.5DR drawing shown above at 75% of actual size.
Contact us for detailed product drawings on any size scoop.

Large Scoops

1.61" DIAMETER BOWLS

Measurex®'s large scoops are appearing more and more in powdered mixes that are used to help those who are following a healthy lifestyle. Our large scoops are serving an important role, such as measuring nutritional supplements and making it convenient for the user who is usually on-the-go. These large scoops provide accuracy for measuring mixes that help to enhance exercise and fitness regimens.

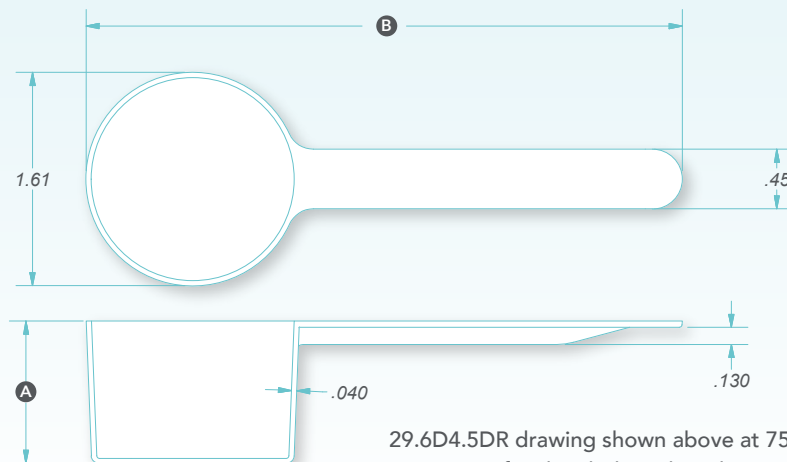
Our large scoops have a 1.61" diameter bowl and come in three handle lengths. See chart at right for stock capacities and colors.





PRODUCT SPECIFICATIONS

Product ID	Bowl Capacity	Bowl Depth A	Overall Length B	Stock Color/s	Material
20.0D3.0DR	20.0 cc	.73"	3.0"	Natural	FDA Grade Polypropylene
20.0D3.3DR	20.0 cc	.73"	3.3"	Natural	FDA Grade Polypropylene
20.0D4.5DR	20.0 cc	.73"	4.5"	Natural	FDA Grade Polypropylene
23.0D3.0DR	23.0 cc	.84"	3.0"	Natural	FDA Grade Polypropylene
23.0D3.3DR	23.0 cc	.84"	3.3"	Natural	FDA Grade Polypropylene
23.0D4.5DR	23.0 cc	.84"	4.5"	Natural	FDA Grade Polypropylene
25.0D3.0DR	25.0 cc	.91"	3.0"	Natural	FDA Grade Polypropylene
25.0D3.3DR	25.0 cc	.91"	3.3"	Natural	FDA Grade Polypropylene
25.0D4.5DR	25.0 cc	.91"	4.5"	Natural	FDA Grade Polypropylene
26.5D3.0DR	26.5 cc	.97"	3.0"	Natural	FDA Grade Polypropylene
26.5D3.3DR	26.5 cc	.97"	3.3"	Natural	FDA Grade Polypropylene
26.5D4.5DR	26.5 cc	.97"	4.5"	Natural	FDA Grade Polypropylene
29.6D3.0DR	29.6 cc	1.07"	3.0"	Natural, Yellow	FDA Grade Polypropylene
29.6D3.3DR	29.6 cc	1.07"	3.3"	Natural, Blue	FDA Grade Polypropylene
29.6D4.5DR	29.6 cc	1.07"	4.5"	Natural, Blue, Hunter Green	FDA Grade Polypropylene
32.0D3.0DR	32.0 cc	1.18"	3.0"	Natural	FDA Grade Polypropylene
32.0D3.3DR	32.0 cc	1.18"	3.3"	Natural	FDA Grade Polypropylene
32.0D4.5DR	32.0 cc	1.18"	4.5"	Natural	FDA Grade Polypropylene
35.0D3.0DR	35.0 cc	1.29"	3.0"	Natural	FDA Grade Polypropylene
35.0D3.3DR	35.0 cc	1.29"	3.3"	Natural	FDA Grade Polypropylene
35.0D4.5DR	35.0 cc	1.29"	4.5"	Natural	FDA Grade Polypropylene



Available in 3 handle lengths.

29.6D4.5DR drawing shown above at 75% of actual size.
Contact us for detailed product drawings on any size scoop.

Extra Large Scoops

1.83" DIAMETER BOWLS

Measurex® manufactures extra large scoops for major brands of protein powders and meal replacement supplement mixes. Measurex's unique and precise design allows these products to help people reach their full weight training potential.

We understand that an ingredient change directly affects your dose, thus we offer a wide range of bowl capacities.

Our extra large scoops have a 1.83" diameter bowl and come in two handle lengths. See chart at right for stock capacities and colors.

Did you know we are able to customize any size scoop to fit your needs and promote your brand? See page 19 for more about our custom capabilities.



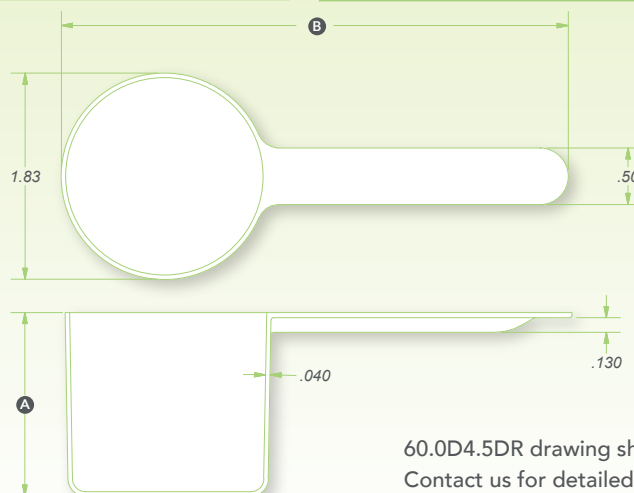


PRODUCT SPECIFICATIONS

Product ID	Bowl Capacity	Bowl Depth ^A	Overall Length ^B	Stock Color/s
39.0D3.4DR	39.0 cc	1.07"	3.4"	Natural
39.0D4.5DR	39.0 cc	1.07"	4.5"	Natural
39.0D5.25DR	39.0 cc	1.07"	5.25"	Natural
43.0D3.4DR	43.0 cc	1.17"	3.4"	Natural
43.0D4.5DR	43.0 cc	1.17"	4.5"	Natural
43.0D5.25DR	43.0 cc	1.17"	5.25"	Natural
48.0D3.4DR	48.0 cc	1.31"	3.4"	Natural
48.0D4.5DR	48.0 cc	1.31"	4.5"	Natural
48.0D5.25DR	48.0 cc	1.31"	5.25"	Natural
50.0D3.4DR	50.0 cc	1.36"	3.4"	Natural, Lt Blue
50.0D4.5DR	50.0 cc	1.36"	4.5"	Natural
50.0D5.25DR	50.0 cc	1.36"	5.25"	Natural
53.0D3.4DR	53.0 cc	1.44"	3.4"	Natural
53.0D4.5DR	53.0 cc	1.44"	4.5"	Natural
53.0D5.25DR	53.0 cc	1.44"	5.25"	Natural
55.0D3.4DR	55.0 cc	1.50"	3.4"	Natural
55.0D4.5DR	55.0 cc	1.50"	4.5"	Natural
55.0D5.25DR	55.0 cc	1.50"	5.25"	Natural
60.0D3.4DR	60.0 cc	1.63"	3.4"	Natural, Red
60.0D4.5DR	60.0 cc	1.63"	4.5"	Natural
60.0D5.25DR	60.0 cc	1.63"	5.25"	Natural

Product ID	Bowl Capacity	Bowl Depth ^A	Overall Length ^B	Stock Color/s
63.0D3.4DR	63.0 cc	1.72"	3.4"	Natural
63.0D4.5DR	63.0 cc	1.72"	4.5"	Natural
63.0D5.25DR	63.0 cc	1.72"	5.25"	Natural
67.0D3.4DR	67.0 cc	1.83"	3.4"	Natural
67.0D4.5DR	67.0 cc	1.83"	4.5"	Natural
67.0D5.25DR	67.0 cc	1.83"	5.25"	Natural
70.0D3.4DR	70.0 cc	1.91"	3.4"	Natural
70.0D4.5DR	70.0 cc	1.91"	4.5"	Natural
70.0D5.25DR	70.0 cc	1.91"	5.25"	Natural
73.0D3.4DR	73.0 cc	1.99"	3.4"	Natural
73.0D4.5DR	73.0 cc	1.99"	4.5"	Natural
73.0D5.25DR	73.0 cc	1.99"	5.25"	Natural
75.0D3.4DR	75.0 cc	2.05"	3.4"	Natural
75.0D4.5DR	75.0 cc	2.05"	4.5"	Natural
75.0D5.25DR	75.0 cc	2.05"	5.25"	Natural
77.0D3.4DR	77.0 cc	2.10"	3.4"	Natural
77.0D4.5DR	77.0 cc	2.10"	4.5"	Natural
77.0D5.25DR	77.0 cc	2.10"	5.25"	Natural
80.0D3.4DR	80.0 cc	2.18"	3.4"	Natural
80.0D4.5DR	80.0 cc	2.18"	4.5"	Natural
80.0D5.25DR	80.0 cc	2.18"	5.25"	Natural

All scoops on this page made of FDA Grade Polypropylene.



Available in 3 handle lengths.

60.0D4.5DR drawing shown above not to scale. Contact us for detailed product drawings on any size scoop.

XXL Scoops

2.26" BOWL DIAMETER

Measurex® manufactures extra, extra large scoops that are used in measuring supplements or nutritional for pets, and for use in veterinarian and the farming industry. These scoops are being used to measure feed additives and supplements for weight gain and nutrition for animals.

We also see many of these scoops used in adult meal replacement products.

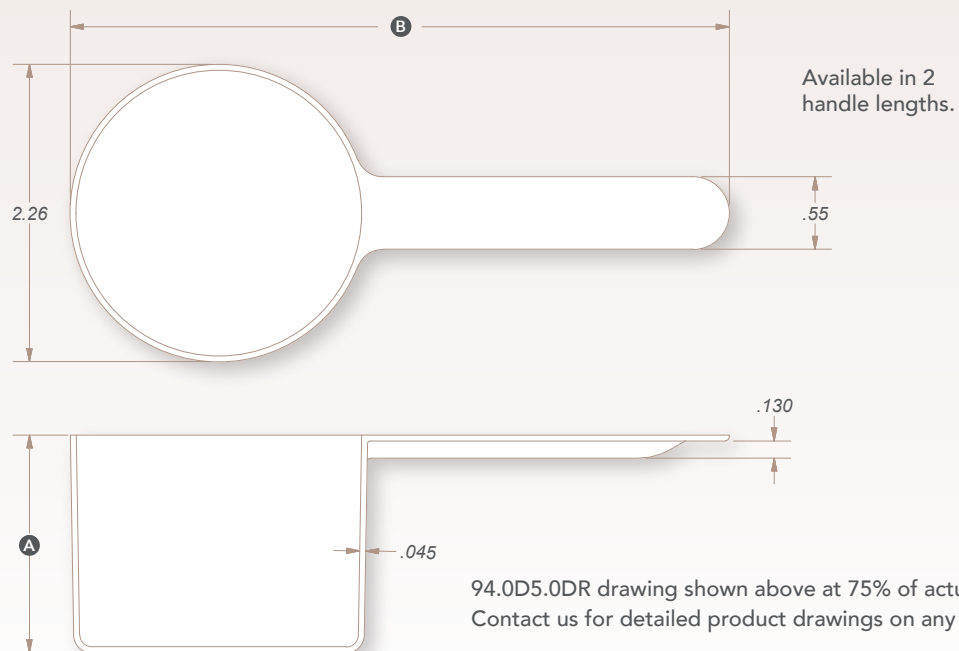
Our XXL scoops have a 2.26" diameter bowl and come in two handle lengths. See chart at right for stock capacities and colors.





PRODUCT SPECIFICATIONS

Product ID	Bowl Capacity	Bowl Depth A	Overall Length B	Stock Color/s	Material
82.0D3.5DR	82.0 cc	1.45"	3.5"	Natural	FDA Grade Polypropylene
82.0D5.0DR	82.0 cc	1.45"	5.0"	Natural	FDA Grade Polypropylene
90.0D3.5DR	90.0 cc	1.58"	3.5"	Natural	FDA Grade Polypropylene
90.0D5.0DR	90.0 cc	1.58"	5.0"	Natural	FDA Grade Polypropylene
94.0D3.5DR	94.0 cc	1.65"	3.5"	Natural	FDA Grade Polypropylene
94.0D5.0DR	94.0 cc	1.65"	5.0"	Natural	FDA Grade Polypropylene
106.0D3.5DR	106.0 cc	1.87"	3.5"	Natural	FDA Grade Polypropylene
106.0D5.0DR	106.0 cc	1.87"	5.0"	Natural	FDA Grade Polypropylene
118.4D3.5DR	118.4 cc	2.08"	3.5"	Natural	FDA Grade Polypropylene
118.4D5.0DR	118.4 cc	2.08"	5.0"	Natural	FDA Grade Polypropylene
148.0D3.5DR	148.0 cc	2.617"	3.5"	Natural	FDA Grade Polypropylene
148.0D5.0DR	148.0 cc	2.617"	5.0"	Natural	FDA Grade Polypropylene



Jumbo Scoops

2.5" BOWL DIAMETER

Our new lightweight jumbo scoops are the perfect choice for bulk dosage products where your consumers need the ability to measure a precise portion for a single dose. Whether used to dispense protein supplements, food additives, or other nutritionals, measurex® jumbo scoops are designed for easy measuring, with all cc capacities based on ounces.

Our jumbo scoops have a 2.5" diameter bowl and come in two handle lengths – including a longer 6" handle option for comfortable, sanitary reaching into deep jugs or pouches. See chart at right for stock capacities and colors.

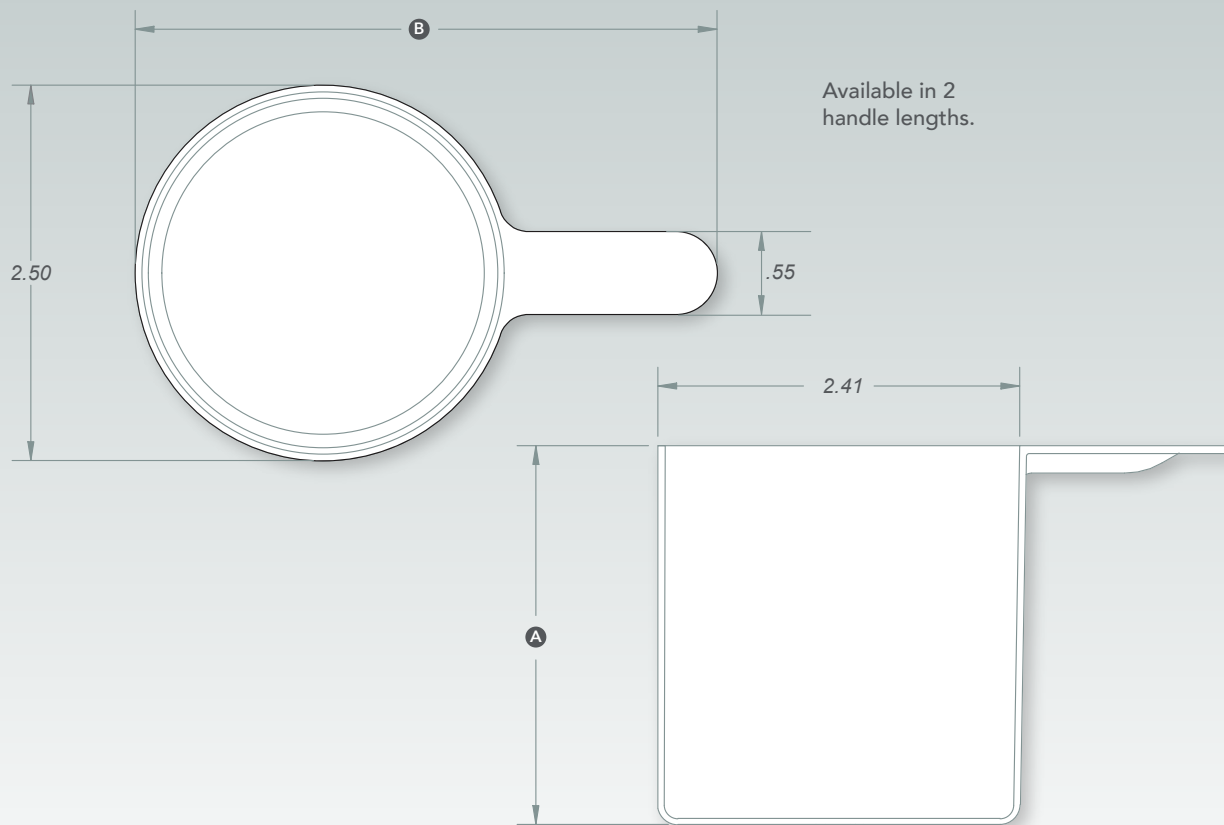
Did you know that we're able to customize any size scoop to fit your needs and promote your brand? See page 19 for more about our custom capabilities.





PRODUCT SPECIFICATIONS

Product ID	Bowl Capacity	Bowl Depth A	Overall Length B	Stock Color/s	Material
177.0D3.9DR	177 cc (6 ounce)	2.52"	3.9"	Natural	FDA Grade Polypropylene
177.0D6.0DR	177 cc (6 ounce)	2.52"	6.0"	Natural	FDA Grade Polypropylene
207.0D3.9DR	207 cc (7 ounce)	2.92"	3.9"	Natural	FDA Grade Polypropylene



177.0D3.9DR drawing shown above at 85% of actual size.
Contact us for detailed product drawings on any size scoop.

Graduated Cups

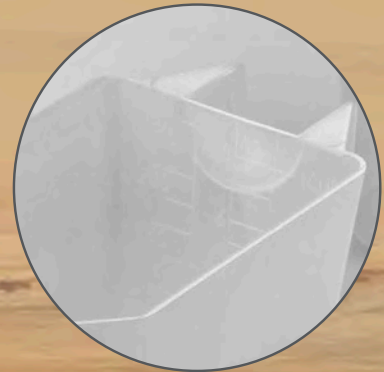
VARIOUS BOWL SIZES AND SHAPES

Measurex® manufactures graduated cups that are used in measuring supplements or nutritional in the veterinarian industry. In the farming industry, these cups are being used to measure feed additives and supplements for weight gain or nutrition for animals.

For example, an equine supplement would need a larger scoop for feed additive. Batches can vary so the graduated cups are a useful tool to adjust your batch dose accordingly with the same scoop.

Our graduated cups come in various bowl sizes and shapes. See chart at right for stock capacities and colors.

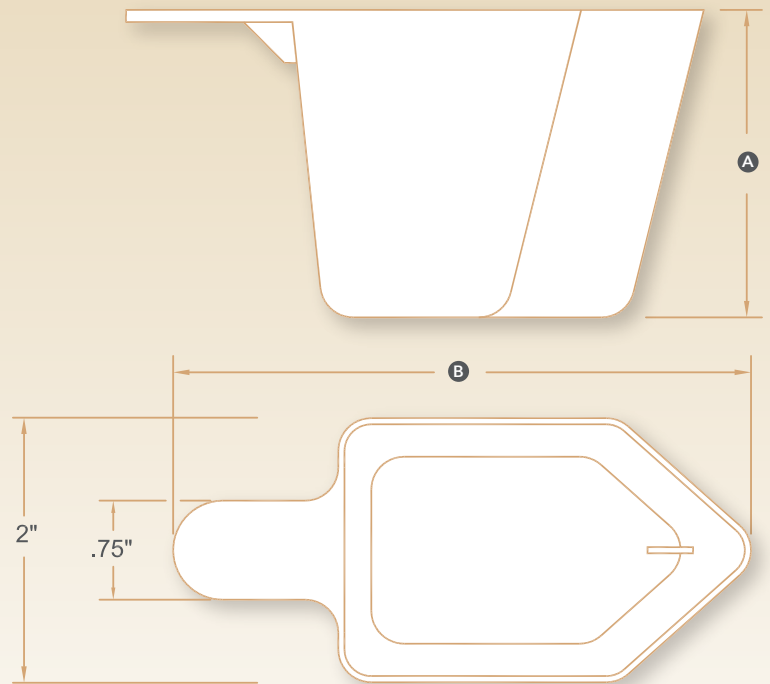
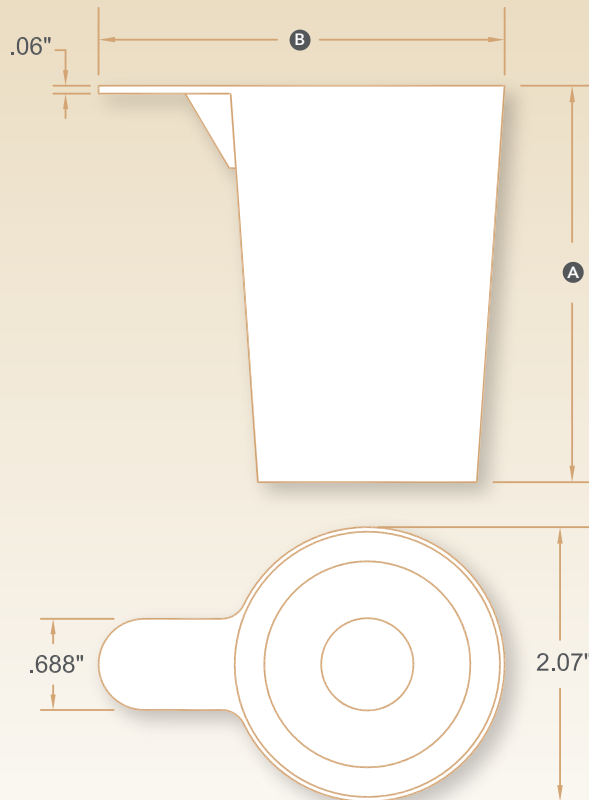
Graduated
Measurement
Detail





PRODUCT SPECIFICATIONS

Product ID	Bowl Capacity	Bowl Depth A	Overall Length B	Stock Color/s	Material
4 oz. Round	4.0 oz.	3"	3.062"	Natural	FDA Grade Polypropylene
4 oz. Rectangle	4.0 oz.	2.328"	4.375"	Natural	FDA Grade Polypropylene
8 oz. Cup	8.0 oz.	2.9375"	4.75"	Natural, Blue	FDA Grade Polypropylene
16 oz. Cup	16.0 oz.	4.6875"	5.9375"	Natural	FDA Grade Polypropylene



4 oz. Round and Rectangle cups shown above at 75% of actual size.
Contact us for detailed product drawings on any size graduated cup.

Round Bottom Scoops

VENTED AND NON-VENTED BOWLS

Anything powder is measurex®'s niche. Measurex® can design and manufacture customized or specialty scoops that are used in various ways. For example, powdered milk products require rounder, vented scoops due to the fine density of the product that nourishes a baby.

Our manufacturing plant is food safety certified with strict QA to assure quality products with no contamination.

Our round bottom scoops come in various bowl sizes. See chart at right for stock capacities, handle lengths and venting options.

Vent Hole
Detail

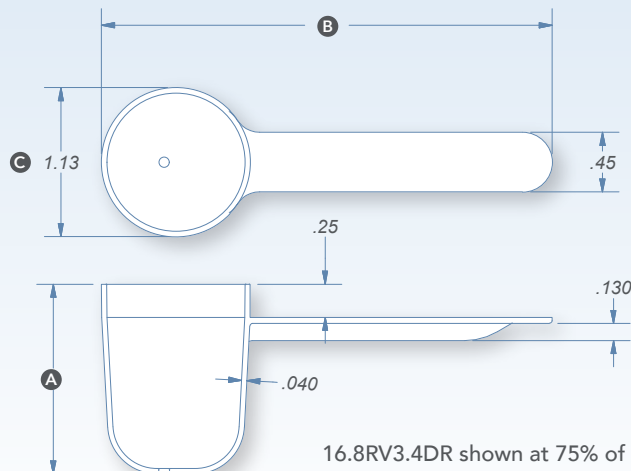




PRODUCT SPECIFICATIONS

Product ID	Bowl Capacity	Bowl Depth A	Overall Length B	Bowl Diameter C	Stock Color/s	Material
10.0R2.8DR	10 cc	.88"	2.8"	1.13"	Natural	FDA Grade Polypropylene
10.0R3.4DR	10 cc	.88"	3.4"	1.13"	Natural	FDA Grade Polypropylene
10.0R5.0DR	10 cc	.88"	5.0"	1.13"	Natural	FDA Grade Polypropylene
12.0R2.8DR	12 cc	1.04"	2.8"	1.13"	Natural	FDA Grade Polypropylene
12.0R3.4DR	12 cc	1.04"	3.4"	1.13"	Natural	FDA Grade Polypropylene
12.0R5.0DR	12 cc	1.04"	5.0"	1.13"	Natural	FDA Grade Polypropylene
15.0R2.6DR	15.0 cc	1.29"	2.63"	1.13"	Natural	FDA Grade Polypropylene
15.0R3.4DR	15.0 cc	1.29"	3.4"	1.13"	Natural	FDA Grade Polypropylene
15.0R5.0DR	15.0 cc	1.29"	5.0"	1.13"	Natural	FDA Grade Polypropylene
16.0R2.8DR	16.0 cc	1.36"	2.8"	1.13"	Natural	FDA Grade Polypropylene
16.0R3.4DR	16.0 cc	1.36"	3.4"	1.13"	Natural	FDA Grade Polypropylene
16.0R5.0DR	16.0 cc	1.36"	5.0"	1.13"	Natural	FDA Grade Polypropylene
16.8R2.8DR	16.8 cc	1.43"	2.8"	1.13"	Natural	FDA Grade Polypropylene
16.8R3.4DR	16.8 cc	1.43"	3.4"	1.13"	Natural	FDA Grade Polypropylene
16.8R5.0DR	16.8 cc	1.43"	5.0"	1.13"	Natural	FDA Grade Polypropylene
20.0R2.8DR	20.0 cc	1.30"	2.8"	1.29"	Natural	FDA Grade Polypropylene
20.0R3.4DR	20.0 cc	1.30"	3.4"	1.29"	Natural	FDA Grade Polypropylene
20.0R5.0DR	20.0 cc	1.30"	5.0"	1.29"	Natural	FDA Grade Polypropylene

All scoops listed above are also available with a vent hole.



16.8RV3.4DR shown at 75% of actual size.

Contact us for detailed product drawings on any round bottom scoop.

8 oz. Round Scoop

FEATURING ROUNDED CORNERS

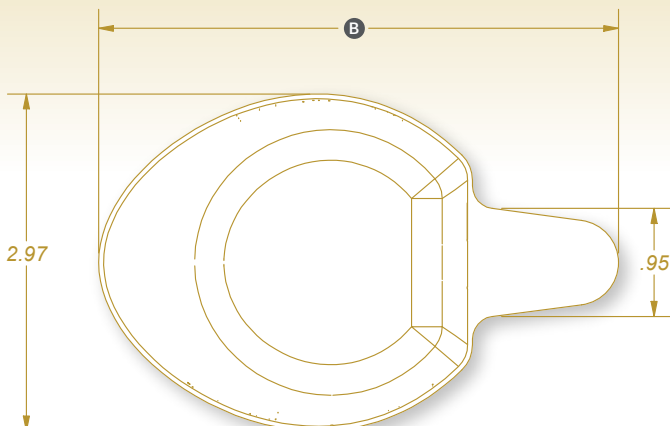
At measurex®, we know that not all scoops are created equal. That's why we're excited about our new 8 oz. round scoops – made not only with rounded corners for minimizing pouch punctures but also with less plastic, thanks to our improved, cost-effective design.

Our lightweight 8 oz. round scoops are ideal for bulk dosage products such as meal replacements, allowing consumers to measure a single dose easily and accurately.

See chart below for specifications.



Product ID	Bowl Capacity	Bowl Depth ^A	Overall Length ^B	Stock Color/s	Material
8 oz. Round	257 cc (8 ounce)	2.86"	4.58"	Natural	FDA Grade Polypropylene



8 oz. Round drawing below shown at 65% of actual size. Contact us for detailed product drawings on this scoop.



Specialty Scoops

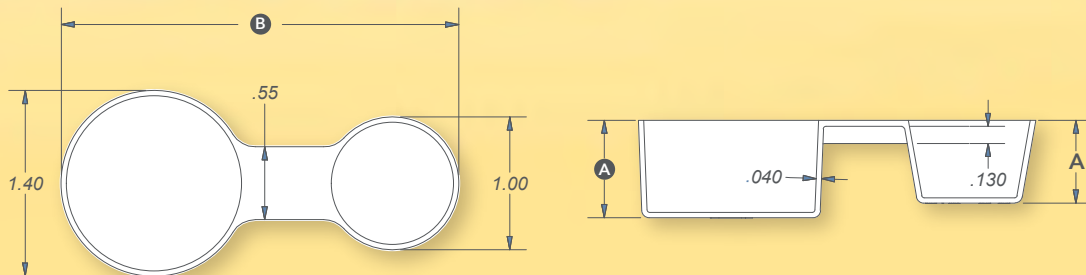
VARIOUS BOWL SIZES AND SHAPES

Customized scoops with a “stepped” bowl or double ended scoop can also be used for products requiring more than one unit of measure such as horticulture products. Double ended scoops also allow flexibility for the end user to measure for a single serving or a pitcher.

Our specialty scoops come in various bowl sizes and shapes. See chart below for stock capacities and colors.



Product ID	Bowl Capacity	Bowl Depth A	Overall Length B	Stock Color/s	Material
1.25+14.8G3.0	1/4 Tsp/1 Tbs	.710"/.525"	3.0"	Natural, Yellow	FDA Grade Polypropylene
3.75+14.8G3.0	3/4 Tsp/1Tbs	.73"/.442"	3.0"	Natural	FDA Grade Polypropylene
5.0+14.8G3.0	1 Tsp/1Tbs	.710"/.525"	3.0"	Natural, Red	FDA Grade Polypropylene
14.8E2.7DR	1 Tablespoon	1.21"	2.7"	Natural	FDA Grade Polypropylene
14.8E4.0DR	1 Tablespoon	1.21"	4.0"	Natural	FDA Grade Polypropylene
14.8A2.9DR	1 Tablespoon	.750"	2.875"	Natural, Blue	FDA Grade Polypropylene
14.8A3.5DR	1 Tablespoon	.750"	3.5"	Natural	FDA Grade Polypropylene



Double measure shown at 75% of actual size.

Contact us for detailed product drawings on any specialty scoop.



Measurex[®] Customization

At measurex[®], we're ready to help you take both your product packaging and your brand to a higher level. Our customization options in size, color, shape, and design let your company put its personal stamp on any scoop we produce – giving you the ability to not only exceed your customers' expectations but also further reinforce and promote your brand.

Whatever your product requirements, our engineering experts will meet your exact specifications while also working with you to explore new ideas and experiment with fresh designs. From unique scoop handles to 3D models, Measurex has the capability to offer a wide variety of solutions.

Customized scoops are also a cost-efficient way to build brand recognition through consistency while also differentiating your company from other brands. We'll find a solution that best represents your brand so that your customers appreciate the distinction each and every time they use your product. An added bonus: customization aids in anti-counterfeiting efforts as well!



The Measurex® Sustainability Mantra: Reduce, Reuse, Recycle



Here at measurex®, we believe it's important for businesses to take responsibility for the impact that their products have on the environment. Measurex produces millions of injection-molded scoops every year – and we're proud to say that each and every one is 100% reusable and recyclable.

Yet we know that's not enough. Far too much recyclable plastic material is still turning up in our landfills today. That's why we've made significant efforts to reduce our impact, and to make a real, measurable difference by repurposing and recycling as much plastic as we produce. Our ultimate goal is to become a net neutral plastic producer.

Measurex® engineers design all our scoops with "lightweight" in mind – innovating new ways to create easy-to-use, cost-effective scoops that are also made with less plastic to leave that much less of a footprint behind. We've partnered with key vendors to develop resin options for our scoops that also increase our sustainability.

What's more, all measurex® scoops can be custom manufactured either from FDA-approved post-consumer plastic PCR-PP (post-consumer recycled polypropylene) or with an enhanced biodegradability additive, at the customer's request. We're happy to work with you to meet your business's specific needs.

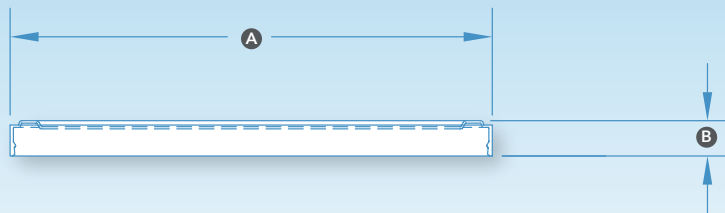


Overcap Lids

PRODUCT SPECIFICATIONS

Product ID	Diameter A	Height B	Stock Color/s	Material
L211C	2.755"	0.300"	Natural, White	LLDPE
L307C	3.489"	0.335"	Natural, White	LLDPE
L307M	3.439"	0.292"	Natural, White	LLDPE
L401CE	4.104"	0.320"	Natural, White	LLDPE
L401M	4.036"	0.296"	Natural, White	LLDPE
L502C	5.195"	0.320"	Natural, White	LLDPE
L502M	5.124"	0.306"	Natural, White	LLDPE
L603A	6.203"	0.406"	Natural, White	LLDPE

Special colors can be run with minimum order requirements.



L401M drawing shown above is not to scale.
Contact us for detailed product drawings on any size lid.



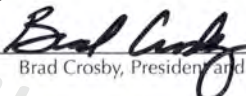
WHERE PACKAGING INNOVATION SOARS

Airlite Plastics Co. Quality Policy

Contribute to customer success by providing quality products that are priced competitively and delivered correct, complete and on-time.

Exceed customer regulatory requirements, while being mindful of our responsibilities to the environment, employees and communities in which we operate. Focus on continuous improvement to our Food Safety and Quality Management Systems.

Be the industry leader in developing new innovative products that drive our customers' growth.


Brad Crosby, President and CEO
Date: 2/8/16
AQP01 Rev D

Airlite
PLASTICS

WARRANTIES AND DISCLAIMERS:

Airlite Plastics Co. only warrants that it will convey good title to the goods and that the goods sold hereunder shall be suitable for food contact service and will conform to the Federal Food, Drugs and Cosmetic Act, as amended, and to all applicable regulations thereunder. All products are sold with the understanding that before placing an order, the buyer will examine and test samples of the product to be furnished by Airlite Plastics Co. and determine for themselves whether they meet the requirements of the buyer. Airlite Plastics Co. products are warranted to be free from defects in material and workmanship at the time sold by Airlite Plastics Co., but the obligation under this warranty is limited only to the replacement of product. Under no circumstances is Airlite Plastics Co. liable for loss, damage, expenses or consequential damages arising out of the use of or the inability to use Airlite Plastics Co. products. The buyer accepts the goods solely on the basis of the warranties herein above expressed. All litigation arising out of this agreement shall be conducted in the district court of Douglas County, Nebraska.

CLAIMS:

Damage in transit is the responsibility of the carrier and claims should be filed immediately. No merchandise may be returned without authorization in writing. Orders are subject to acceptance or rejection for any reason. All returns are subject to a 20% restocking fee.

All materials processed are approved by the FDA. Liquid capacity is measured in fluid ounces (water). The lid (flat or recessed) will decrease the liquid volume accordingly. We recommend testing with actual product.

Microwaving Scoops is Not Recommended



SCOOPS | GRADUATED CUPS | MEASURING CONTAINERS | OVERCAP LIDS

CERTIFIED ISO 9001-2015 and FSSC 22000



CERTIFIED ISO 9001-2015
and FSSC 22000

SCOOPS

GRADUATED CUPS

MEASURING CONTAINERS

OVERCAP LIDS



2860 BATH PIKE
NAZARETH, PA 18064
610.759.0280

MEASUREXSCOOPS.COM

